

Fixed Chair Mount with Sidebox (Internal Umbilical) Installation Instruction

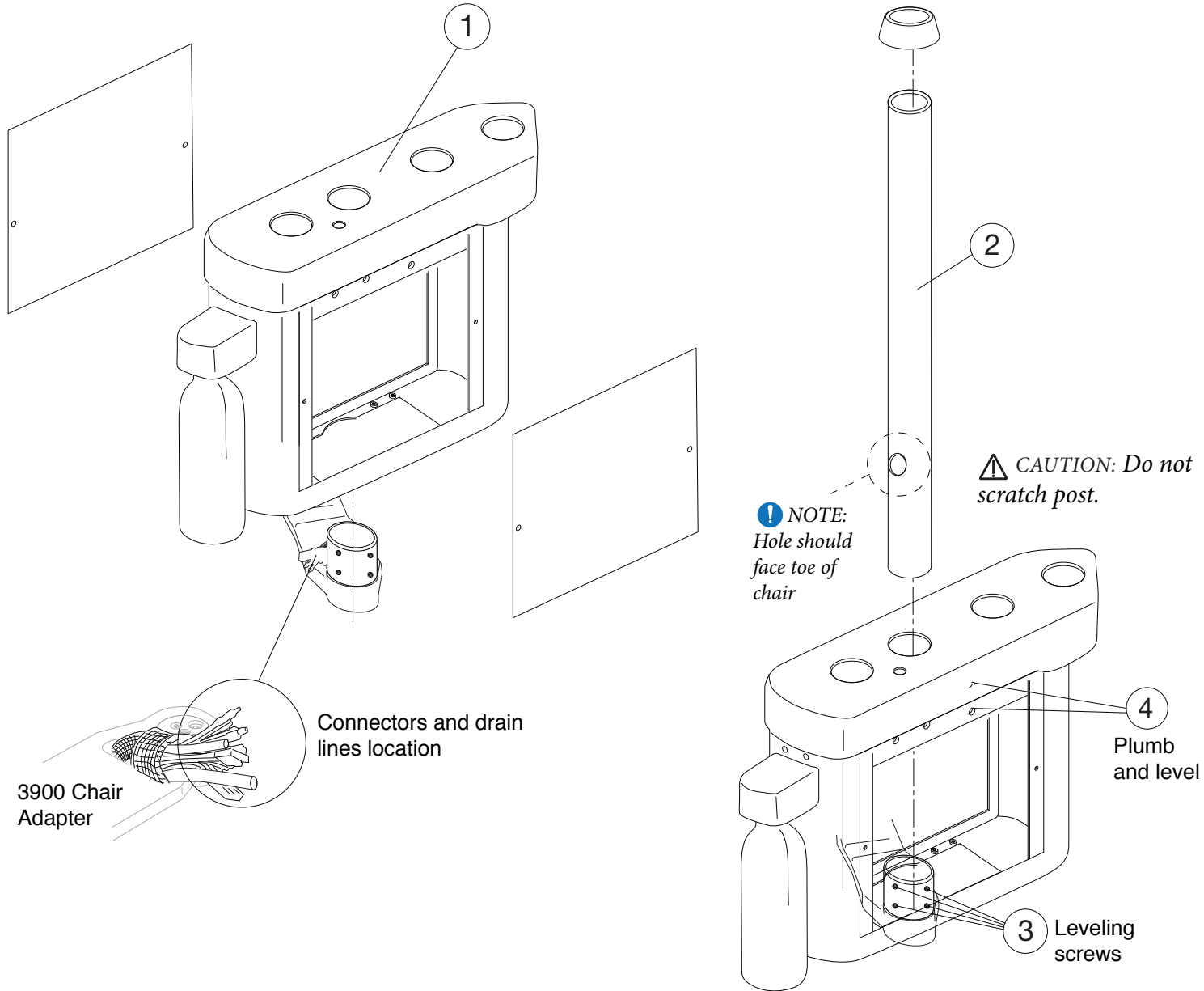
Affordable Excellence + Designer Friendly®

Alert Symbols The safety notices associated with the following should be given special attention when they appear in maintenance, operating and emergency procedures in the guide.

- ⚠ CAUTION indicates that a particular procedure or precaution must be followed to avoid system irregularity or possible damage to the product.
- 📌 NOTE indicates special information to improve the ease of maintaining the product, or to clarify important information.
- ⚠ WARNING indicates that the personal safety of the patient, end user or technician could be compromised by disregarding the WARNING. Not following instructions may result in an injury.

⚠ CAUTION: Field modifications that alter the electrical and/or mechanical safety of Forest products conflict with agency construction file requirements and are not sanctioned by Forest.

📌 NOTE: Installation Verification: Refer to Operator's Guide or Service Manual on our web site at Forestdental.com: Perform all operations. If operations performing as intended installation complete. If operations not performing as intended, review steps in installation instructions to confirm correct installation or call Forest Technical Support at 800-423-3555.



1. Place sidebox on adapter over hub.

2. Insert post thru sidebox into leveling hub.

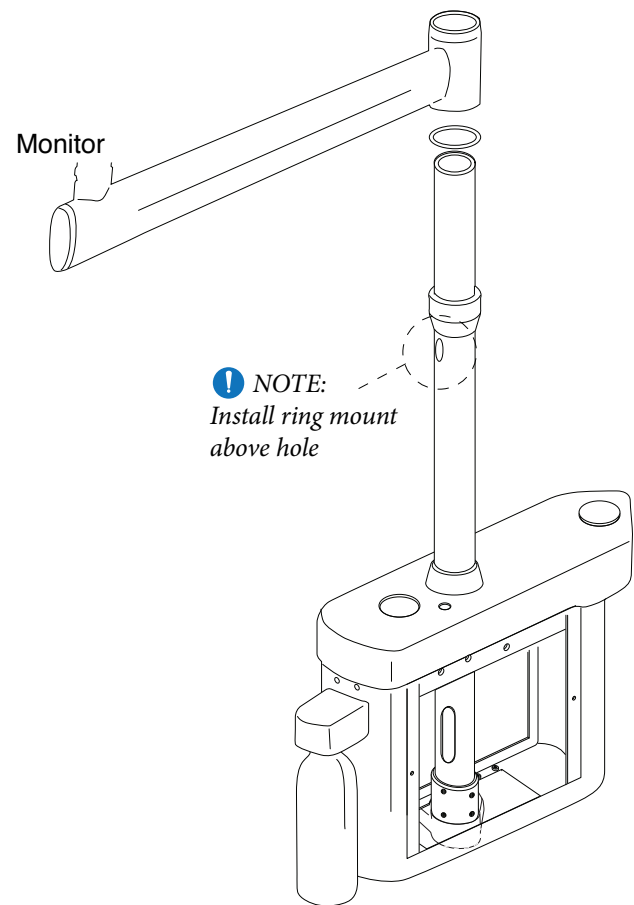
Forest Dental Products Inc. Address 6200 ne cherry drive hillsboro oregon 97124 • USA

Phone 800 . 423 . 3555 • 503 . 640 . 3012 | Fax 503 . 693 . 9715 | Digital sales@forestdental.com • forestdental.com

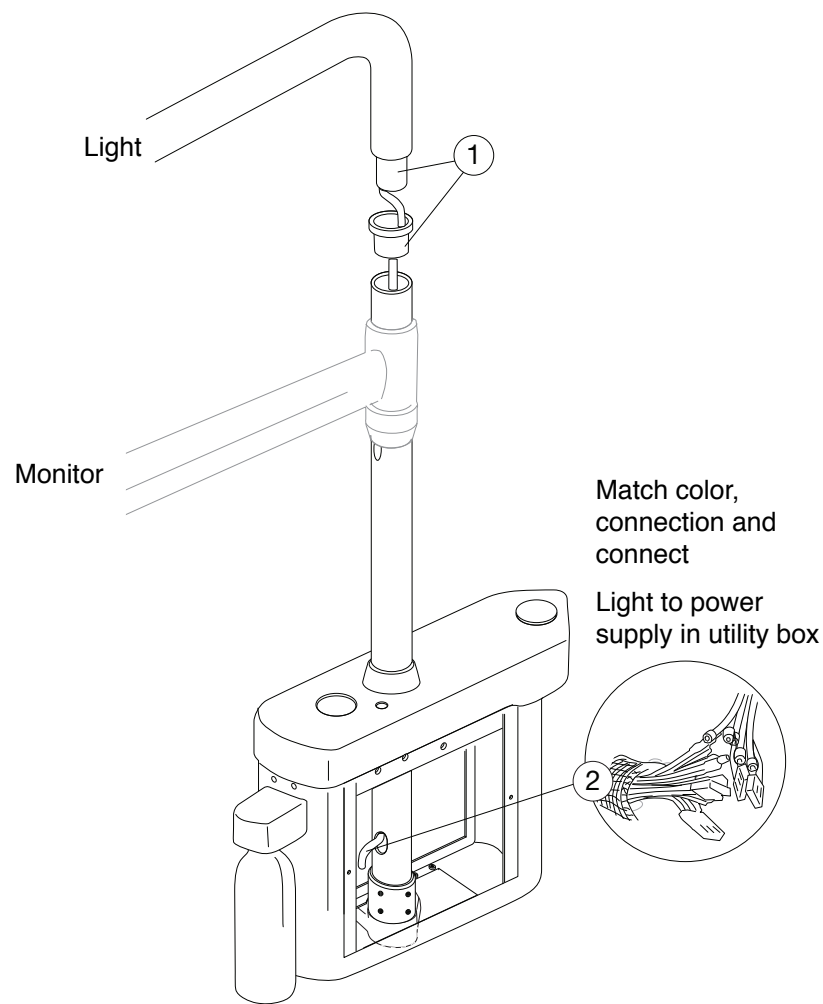
Authorized Representative: Emergo Europe • prinsessegracht 20 | 2514 ap the hague | the netherlands **EC REP**

CE Conformity Assessment: Medical Device Directive Annex VII

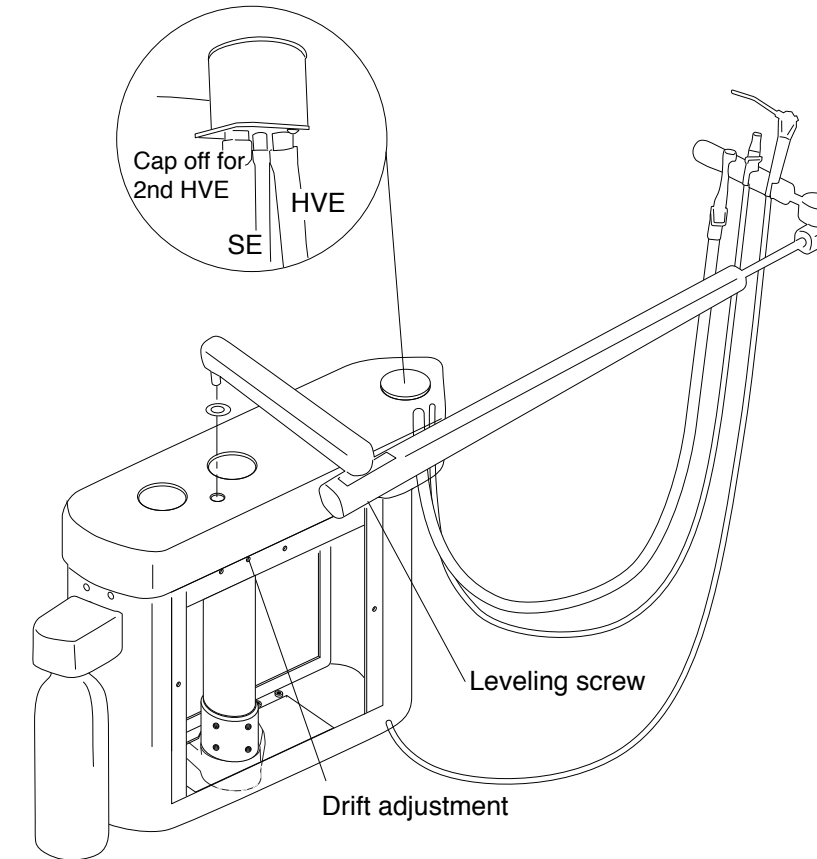
Monitor



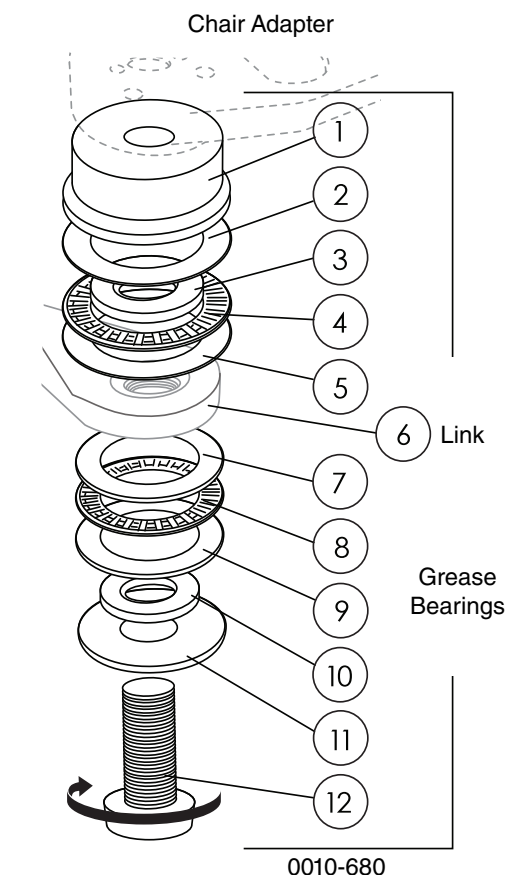
Light



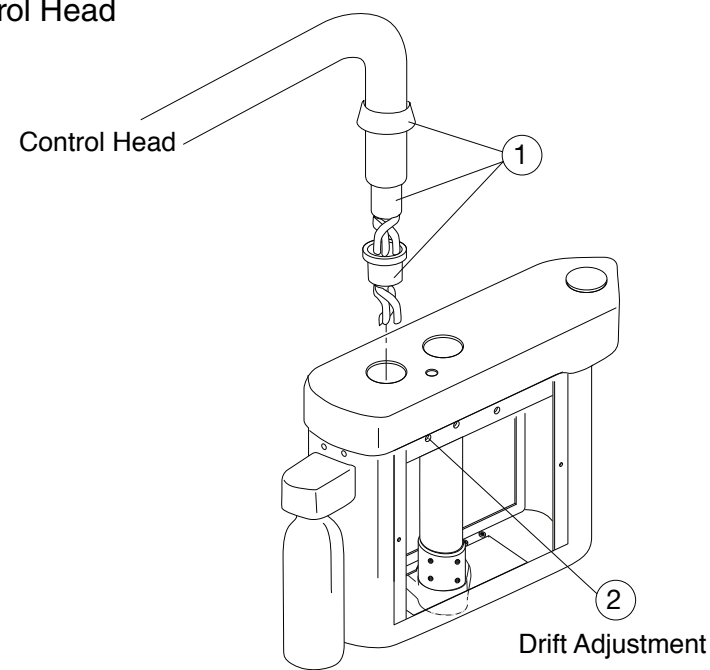
Assistant's Telescoping Arm



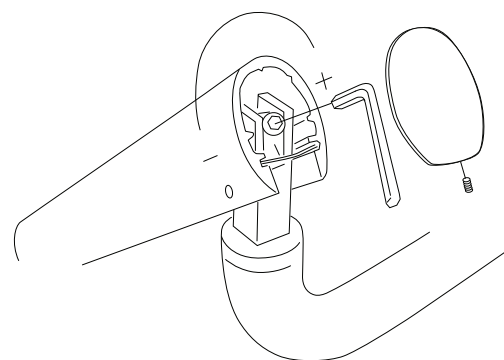
Assistant's International Only



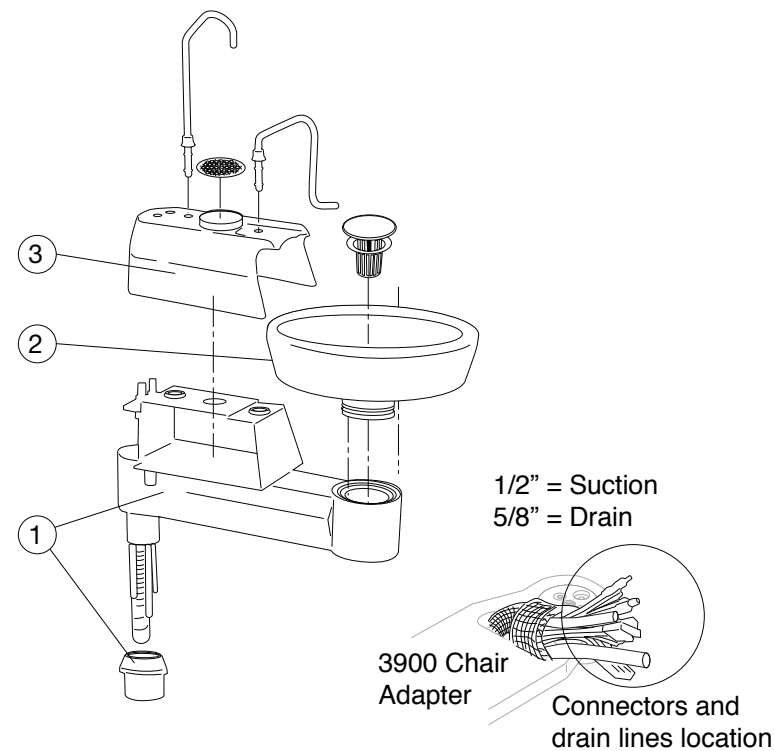
Control Head



Flex Arm Tension Adjustment



Basic Cuspidor



Deluxe Cuspidor

