

DentaleEZ® INTEGRATED SOLUTIONS

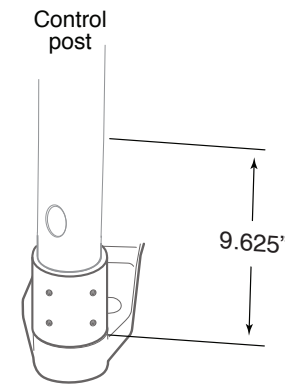
Alert Symbols The safety notices associated with the following should be given special attention when they appear in maintenance, operating and emergency procedures in the guide.

- ⚠ CAUTION indicates that a particular procedure or precaution must be followed to avoid system irregularity or possible damage to the product.
- ℹ NOTE indicates special information to improve the ease of maintaining the product, or to clarify important information.
- ⚠ WARNING indicates that the personal safety of the patient, end user or technician could be compromised by disregarding the WARNING. Not following instructions may result in an injury.
- ⚠ CAUTION: *Field modifications that alter the electrical and/or mechanical safety of Forest products conflict with agency construction file requirements and are not sanctioned by Forest.*
- ℹ NOTE: *Installation Verification: Refer to Operator's Guide or Service Manual on our website at Forestdental.com; perform all operations. If operations not performing as intended installation complete. If operations not performing as intended, review steps in installation instructions to confirm correct installation or call Forest Technical Support at 800-423-3555.*

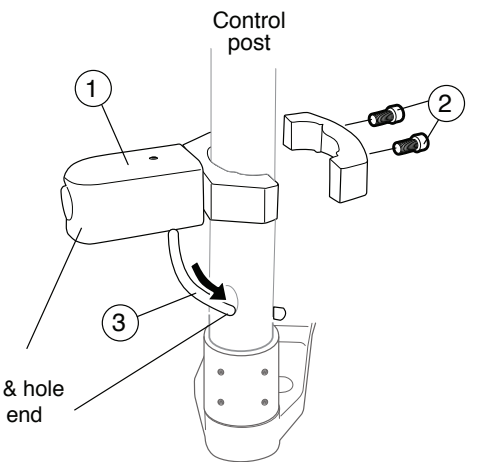
Fixed Chair Mount Without Sidebox - Internal Umbilical

Tools Required: 5/64" & 3/16" Hex Allen Wrench

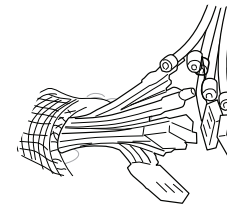
⚠ CAUTION: *Water and air connections: Forest's dental unit water lines are designed to be connected to incoming water systems with a back-flow prevention device, a particle filter with a mesh not exceeding 90um and incoming air lines with a particle filter not exceeding 25um.*



1. Location measurement.

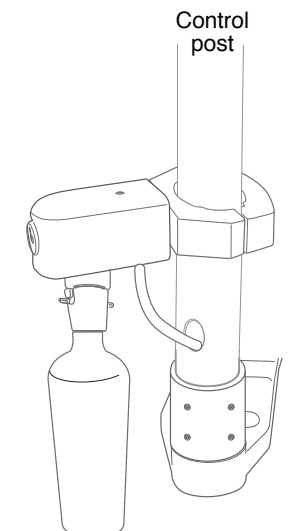


2. Attach clean water system to post.



Match color, connection & connect

3. Umbilical connection.

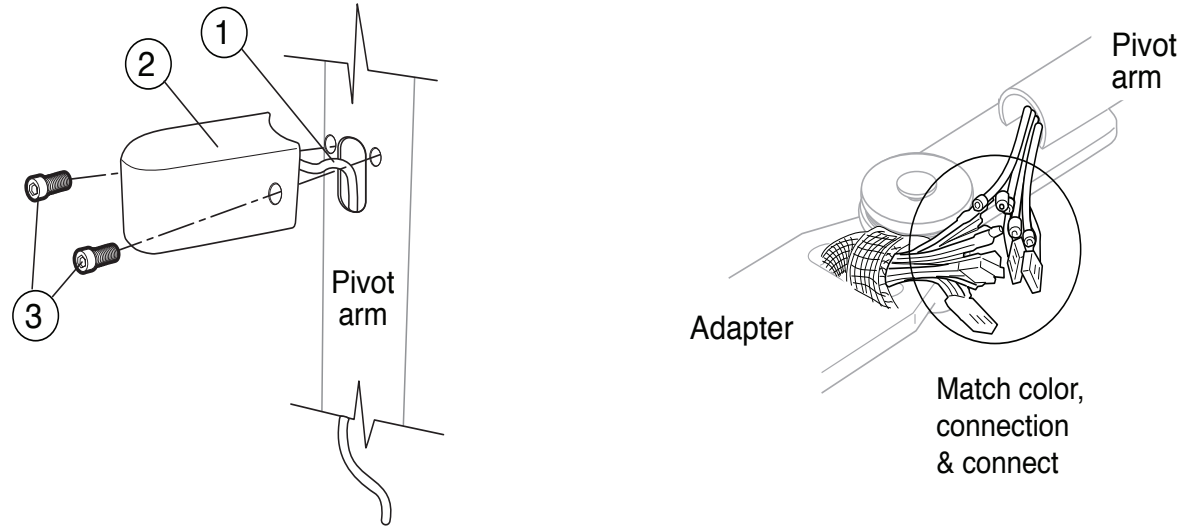


4. Install bottle.

Pivot Control Post - Internal Umbilical

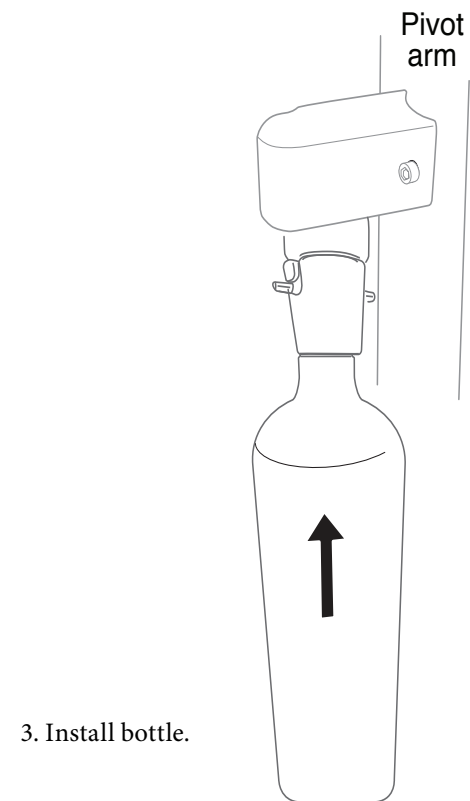
Tools Required: 5/32" Hex Allen Wrench

⚠ CAUTION: Water and air connections: Forest's dental unit water lines are designed to be connected to incoming water systems with a back-flow prevention device, a particle filter with a mesh not exceeding 90um and incoming air lines with a particle filter not exceeding 25um.



1. Install manifold to post.

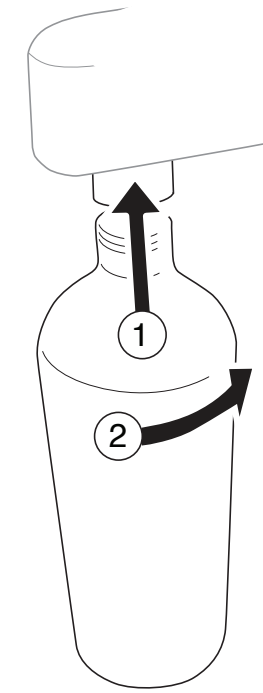
2. Umbilical connection.



3. Install bottle.

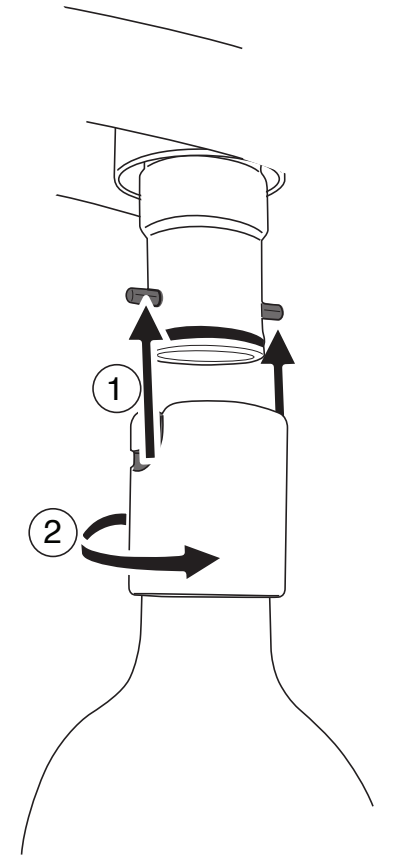
Quick-disconnect Bottle P/N 1100-414

ⓘ NOTE: Thread lock material is designed to allow removal of bottle from adapter. It is designed not to be permanent. Remove any excess thread lock from adapter when re-installing.



To Replace Bottle:

1. Remove quick-disconnect adapter using pliers or a strap wrench.
2. Remove any leftover thread lock from adapter before re-using.
3. Apply a small bead of thread lock material on two full threads of quick-disconnect adapter.
4. Let stand for 30 minutes.



Quick-disconnect Bottle P/N 1100-423

